



# Acropetal Engineering LLP



## *Services Catalogue*

Ver. Oct 21

Contact:-[info@acroengg.com](mailto:info@acroengg.com)

[www.acroengg.com](http://www.acroengg.com)

Reg. office:-D-208, Sector 10,  
Noida 201301(U.P.)India



# Acropetal Engineering LLP

## SCOPE OF SERVICES

Our service offering include,

### DESIGNING

1. Product Development, Tool Design & Development and Manufacturing related Services.
2. Conversion of 2D drawing into 3D CAD model & 3D to 2D.
3. Product designing, 3D solid modeling. White light scanning, Rapid prototype services.
4. Sheet metal stamping-progressive tools, plastics Molds & die designing.
5. Jig, fixtures and Inspection Instrument designing and development.

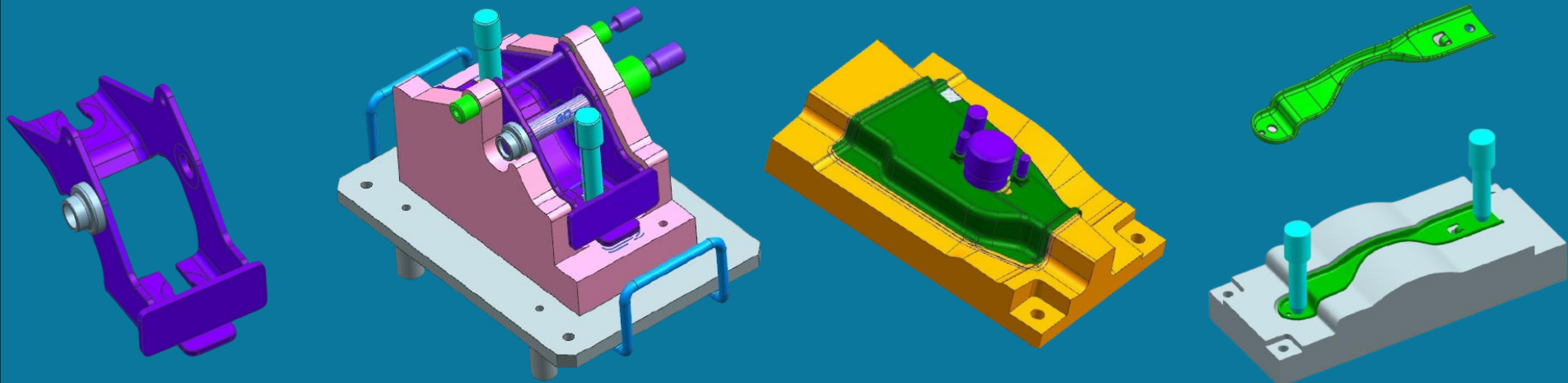
### ENGINEERING AND MANAGEMENT

1. Industrial engineering activities, Time and work study, plant layout, Manufacturing process design and Assembly line layout design, handling system design etc.
2. Lean manufacturing , productivity improvement and cost reduction activities and management process design.



# Acropetal Engineering LLP

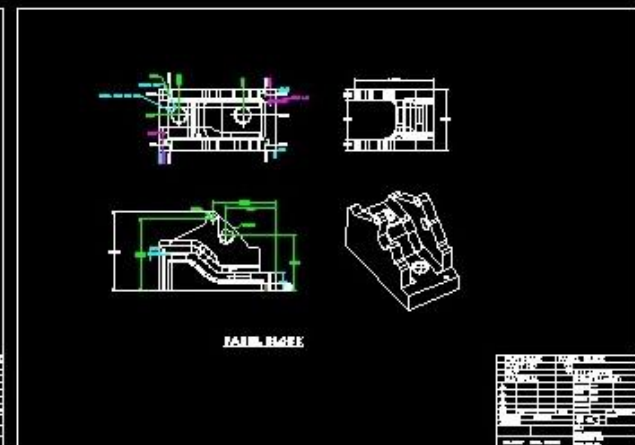
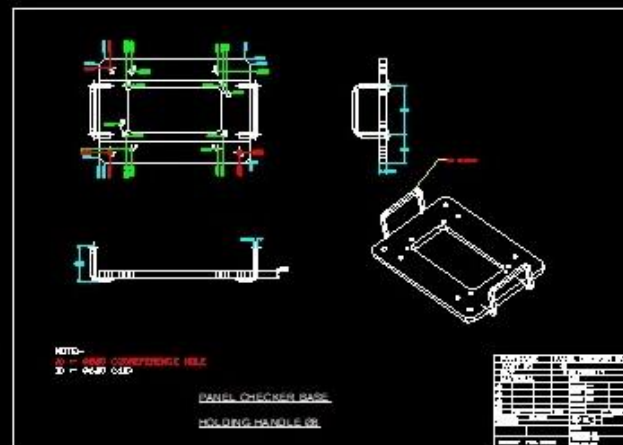
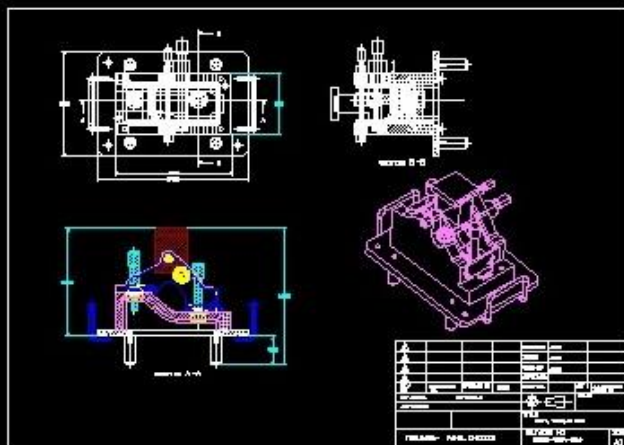
## Designing & manufacturing of Panel Checker



Component

2D drawing

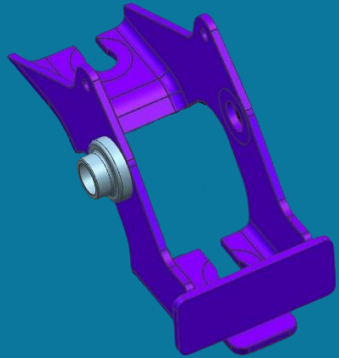
Panel checker



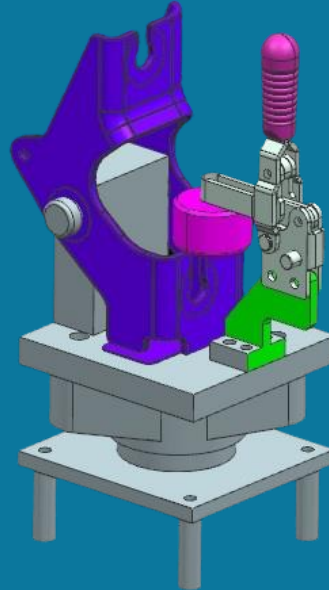


# Acropetal Engineering LLP

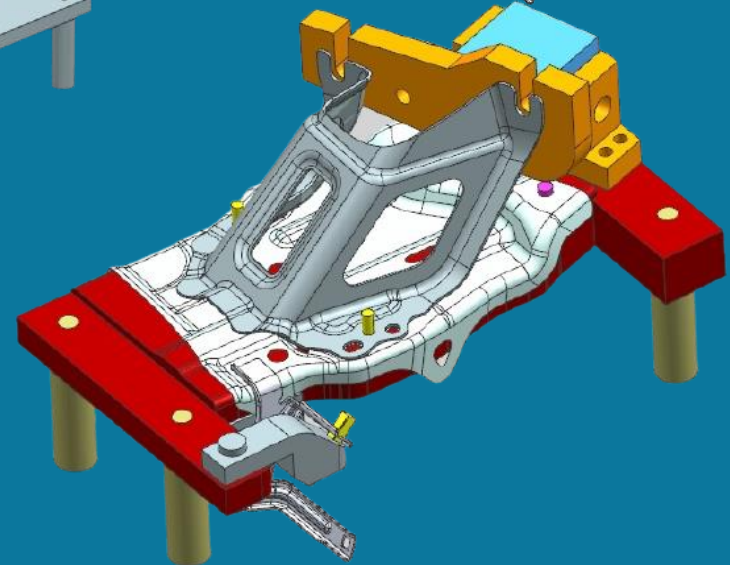
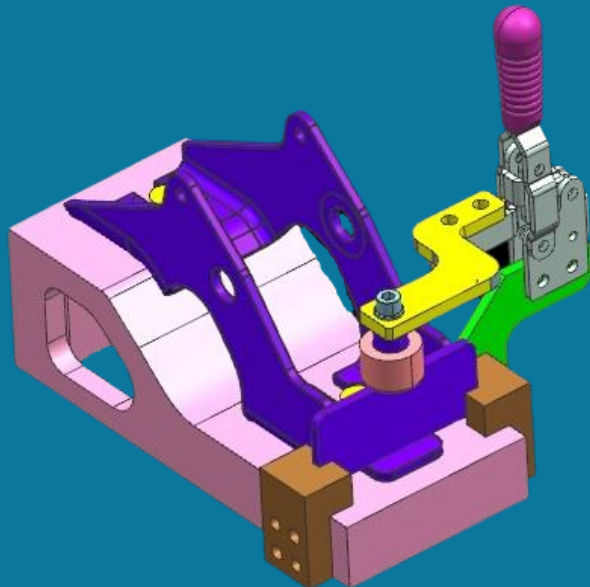
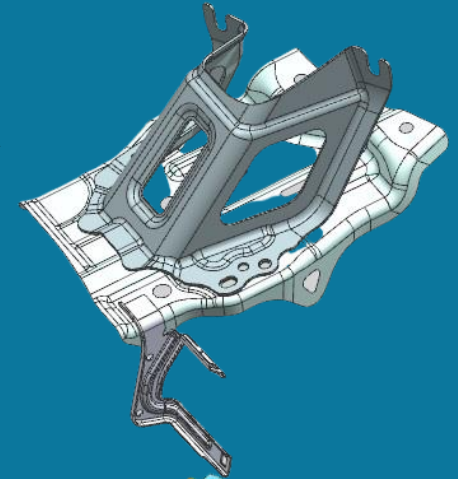
## Welding Fixture Designing & manufacturing



Component



Component

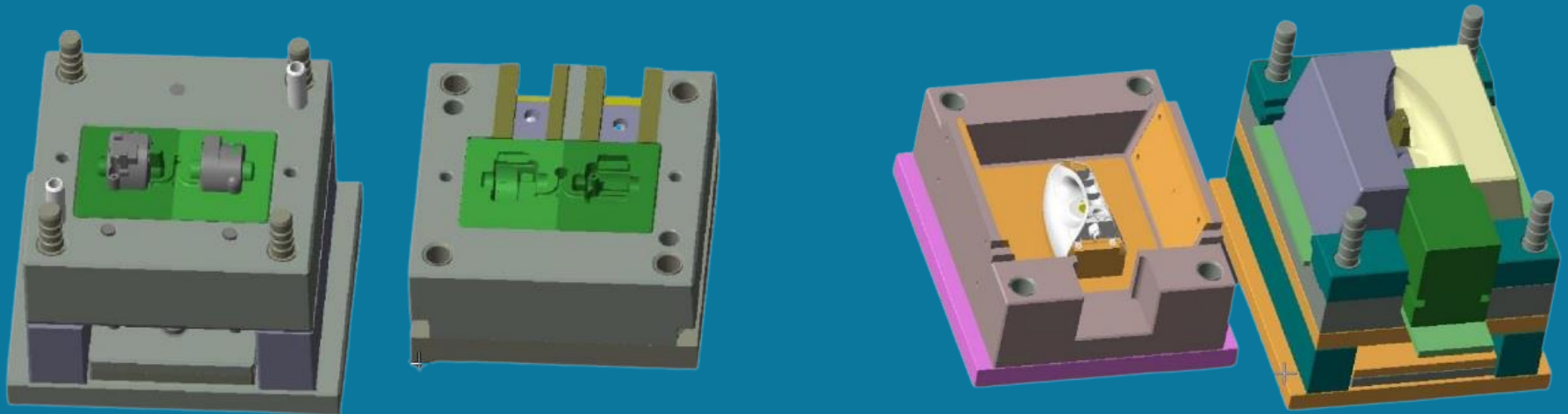
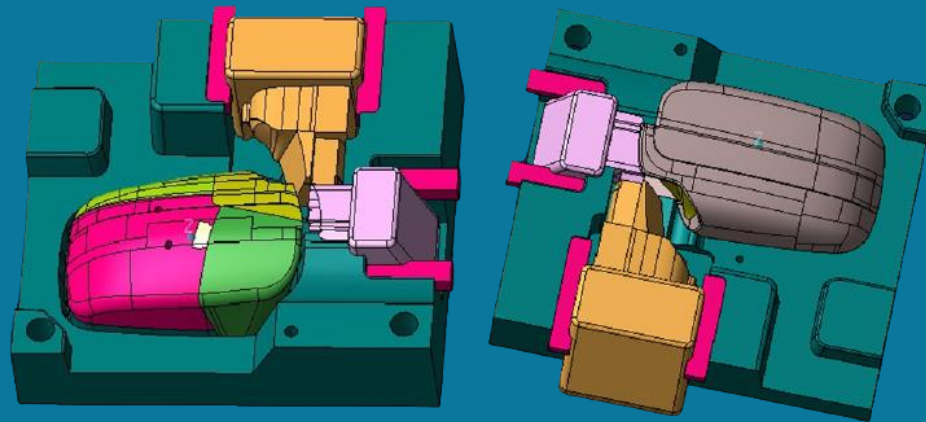


Fixture



# Acropetal Engineering LLP

Plastic Mould designing & manufacturing

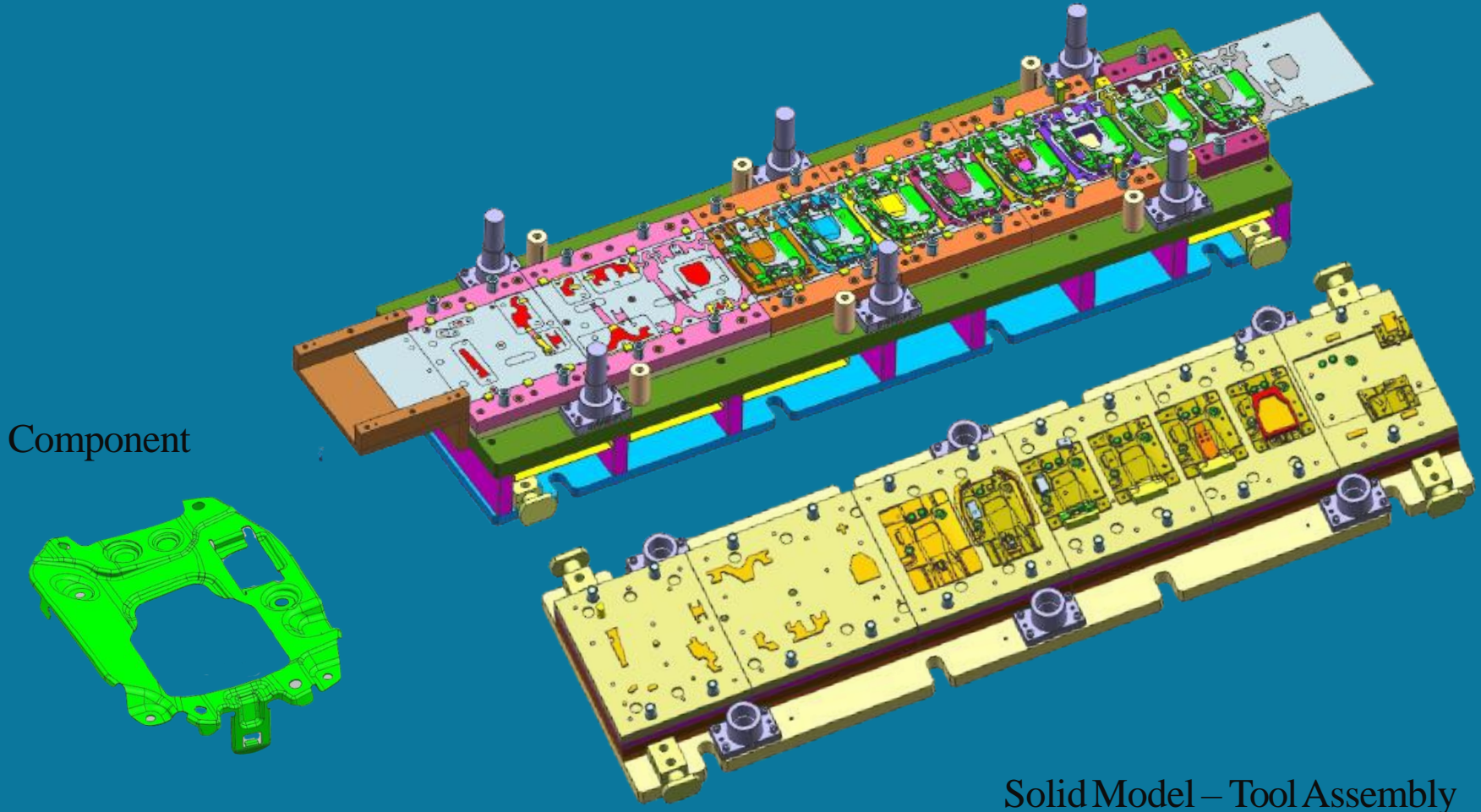






# Acropetal Engineering LLP

Sheet Metal Progressive Tool designing & manufacturing



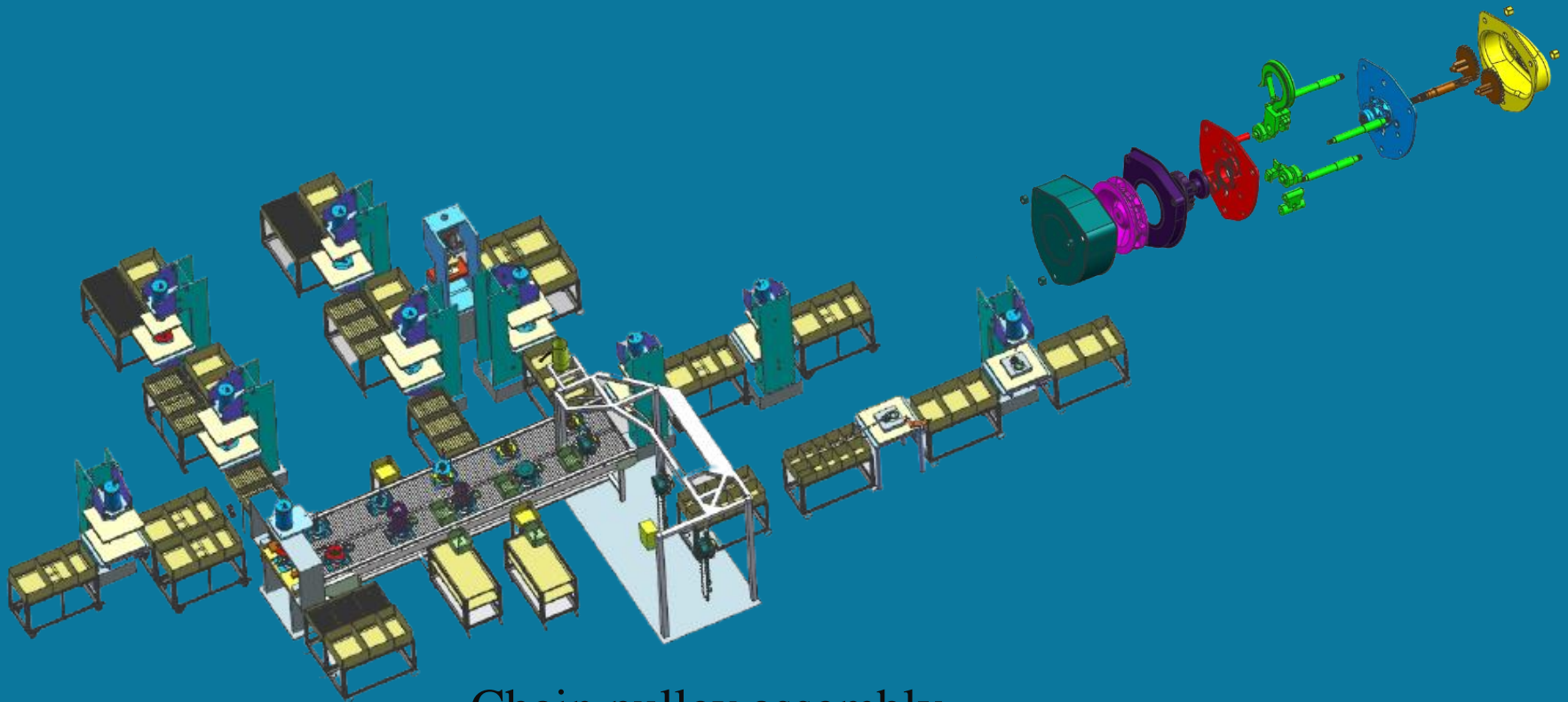
Component

Solid Model – Tool Assembly



# Acropetal Engineering LLP

Complete Part designing, Sub assembly and Assembly Process and  
Assembly Line designing and readying set up for Mass Production for  
Chain Pulley Block Assembly with high quality and efficiency



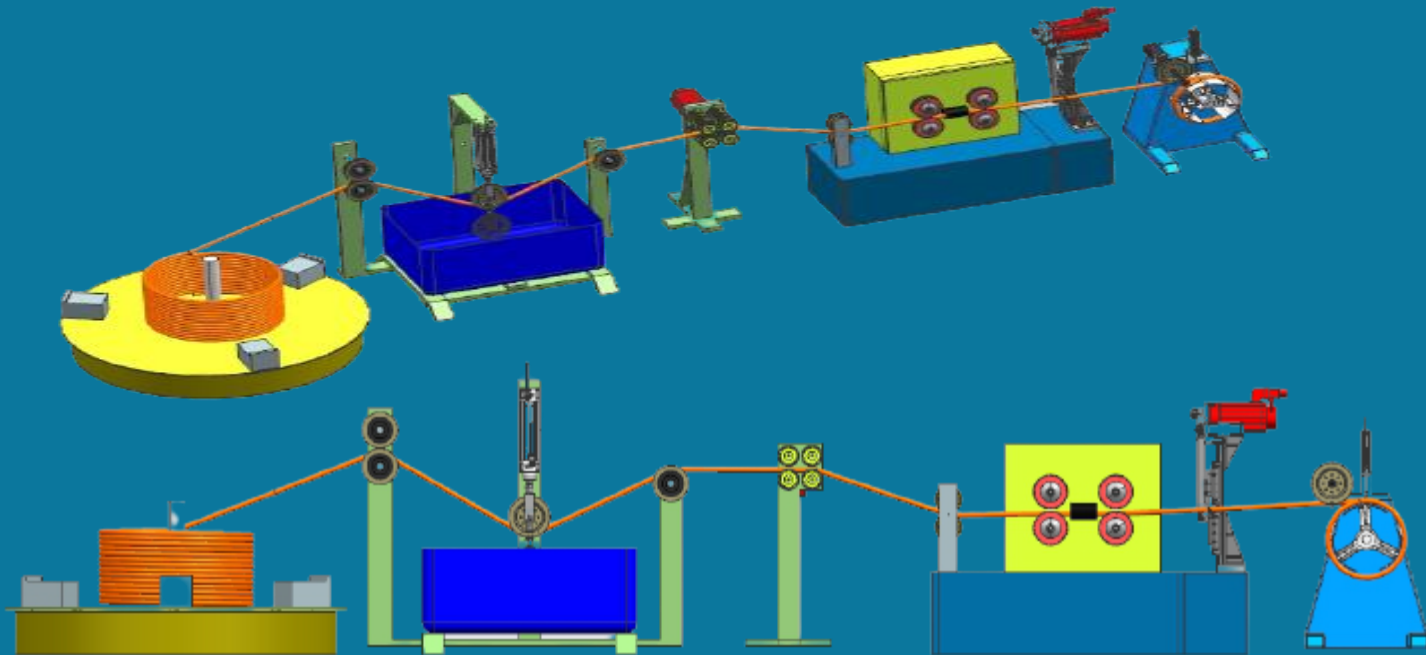
Chain pulley assembly



# Acropetal Engineering LLP

Consulting Services:

Designing the manufacturing processes and developing Automatic Machine for High speed Hose Cutting and Inspection







# Acropetal Engineering LLP

## Machine, Equipment & Facilities

### GENERAL PURPOSE TOOL ROOM MACHINES :

1. Surface grinders – 3 Nos.  
250x500(table size), 250x500(table size), 200x450(table size)
2. Lathe machine 6 feet -1 No.
3. Wirecut EDM machine- 3 Nos.  
Electronica sprint cut 2020 model -2, Electronica sprint cut -1
4. Milling machine- 4 Nos., 900mmx600mm
5. Drilling machine- Various size
6. Tapping machine-Variou s size
7. Welding machine-Variou s size
8. Argon welding machine



# Acropetal Engineering LLP

## Machine, Equipment & Facilities

### PRODUCTION MACHINES :

1. Presses: 5T, 10T, 20T, 30T And Hydraulic press 200T
2. VMC machine- 4, BFW-1000mmx610mmx610mm, BFW-800mmx350mmx350mm  
BFW-650mmX450mmX450mm, Cosmos-1000mmx610mmx610mm.
3. CNC Lathe machine- 7 Various sizes.
4. Plastic Moulding machines – 4 Nos. Toshiba 80T,150T and 180T and 250T Golden Hyd.

### GENERAL PURPOSE MEASURING INSTRUMENTS

Mitutoyo make-

Vernier Calipers, Digital vernier Calipers, Micrometres, Height gauges, Depth micrometres, Radius gauge, Thread gauges, Plunger dial gauge, Feeler gauges, Slip gauge box, Bore gauges, Magnetic v blocks, Surface plate etc.